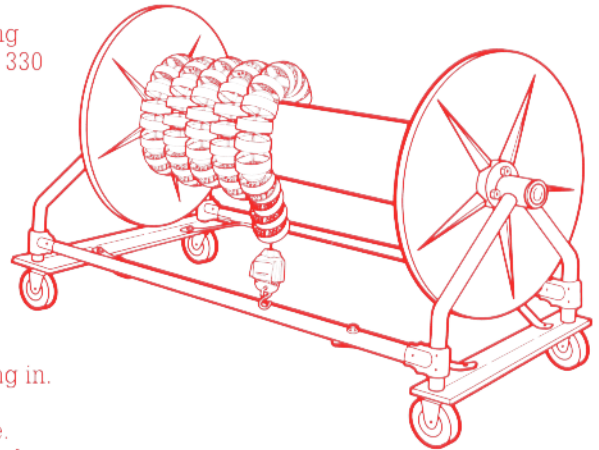


## Stor-Lane® Reel

For proper storage and easy installation and removal of Competitor Racing Lanes, the Stor-Lane® Reel can accommodate up to 540 feet of 4" lanes or 330 feet of 6" lanes. Designed for easy maneuverability around the pool deck, using 5" swivel casters with individual brakes. The main framework is electroplated aluminum, which supports the thermo-formed plastic reel assembly. Overall dimensions: 68" x 46" x 58"



### Stor-Lane® Reel Assembly

- A. Place one end of reel core on a box or a chair.
- B. Stand reel disc up vertically at other end of reel core with socket facing in.
- C. Pick up reel core with axle and three assembly retention rods in place. Align axle and threaded rod ends with holes in reel disc. Guide rod ends and axle through holes from socket side. Slip spacer disc on axle and rod ends. Be sure the flat side of the spacer disc is to the outside. Attach fender washers and 5/16" nuts to ends of rods. Nuts should be flush with ends of rods. Do not tighten at this time.
- D. Repeat procedure C with second reel disk.
- E. Tighten nuts firmly at both ends of reel. Make certain exposed threaded ends of the rods are equal. This will assure proper operation of the Stor-Lane® Reel.
- F. Insert lane anchor bolt with nut with fender washer into hole located near the reel core in reel disc. The eye bolt must be on the inside of the reel disc. Attach fender washer and nut on outside and tighten securely.



Retention Rods



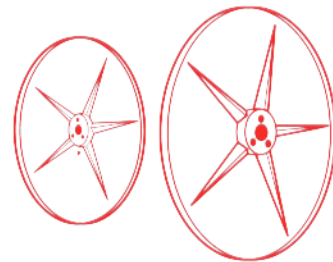
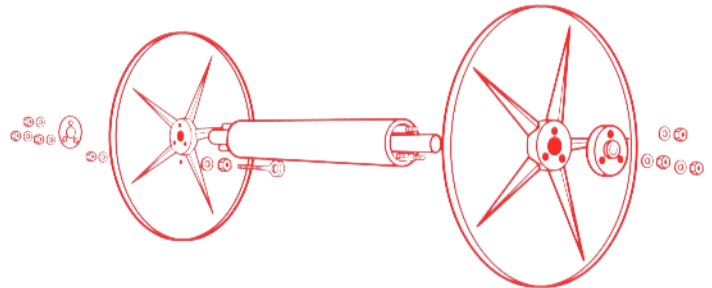
Axle



Reel Core



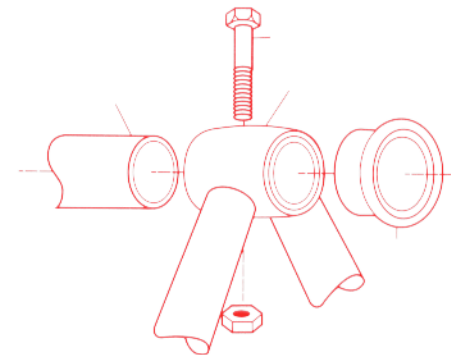
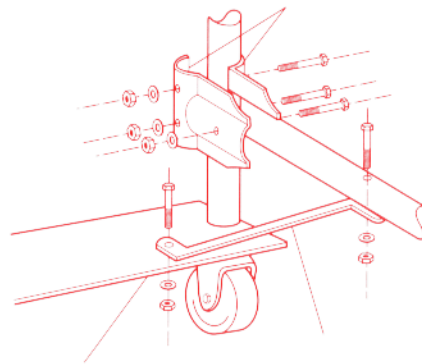
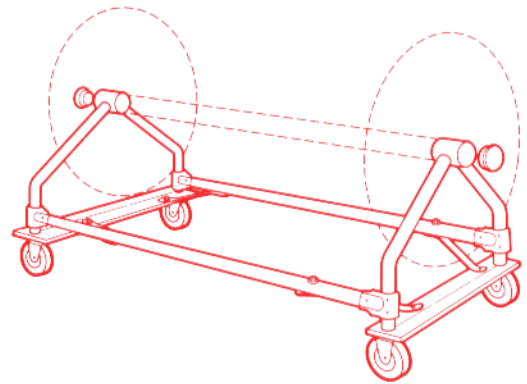
Reel Assembly Hardware Package



Reel Disc

## Stor-Lane® Carriage Assembly

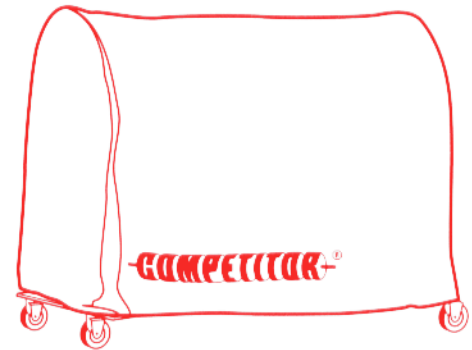
- G. Attach one end of each side rail T-Clamp to each side of the carriage end frame with hole "B" to inside. Affix matching (loose) T-Clamps and bolt together with 1/4" x 2" bolts, lock washer and nuts.
- H. Affix two 8" corner braces as illustrated using 1/4" x 1-1/2" bolt through tube and 1/4" x 3/4" bolt through frame.
- I. Place reel assembly into position putting end of axle through carriage end-frame trunion as illustrated. Place 1/4" x 2-1/2" axle retainer bolt through trunion and axle. Secure with 1/4" nut.
- J. Lift other end of reel assembly placing second carriage end frame trunion over axle end. Secure with 2-1/2" bolt and nut.
- K. Attach other end of side rail T-Clamps as in Step F. Affix 8" corner braces as in Step G. Securely tighten all bolts and nuts.
- L. Press red plastic axle plugs into place until fully seated.



## Storing Your Lanes

Attach first lane ratchet or spring hook to lane anchor eye bolt located now on inside of reel disc near the core. One person should guide lanes being reeled onto Stor-Lane® Reel for most compact storage allowing maximum utilization of space. Upon completion of reeling in first lane, attach first lane tightener ratchet hook to second lane spring hook and reel in and repeat.

One Stor-Lane® Reel Stores:  
 Up to 540 feet or 150 meters of the 4" Competitor Lanes  
 Up to 330 feet of the 6" Gold Medal Lanes



Stor-Lane® Reel Cover

## Shipping Dimensions and Weight

Part Number	Units	Description	Length	Width	Height	Actual Weight
2003500FA	1	STOR-LANE® FRAME ASSEMBLY	38	35	6	31
2003500RA	1	STOR-LANE® END ASSEMBLY	47	47	6	41
2003500TA	1	STOR-LANE® TUBE ASSEMBLY	70	10	7	36
200351	1	STOR-LANE® REEL COVER	14	10	12	10



Voice: 800-667-0677, Fax: 800-663-6338, E-Mail: [dizard@dizard.com](mailto:dizard@dizard.com)