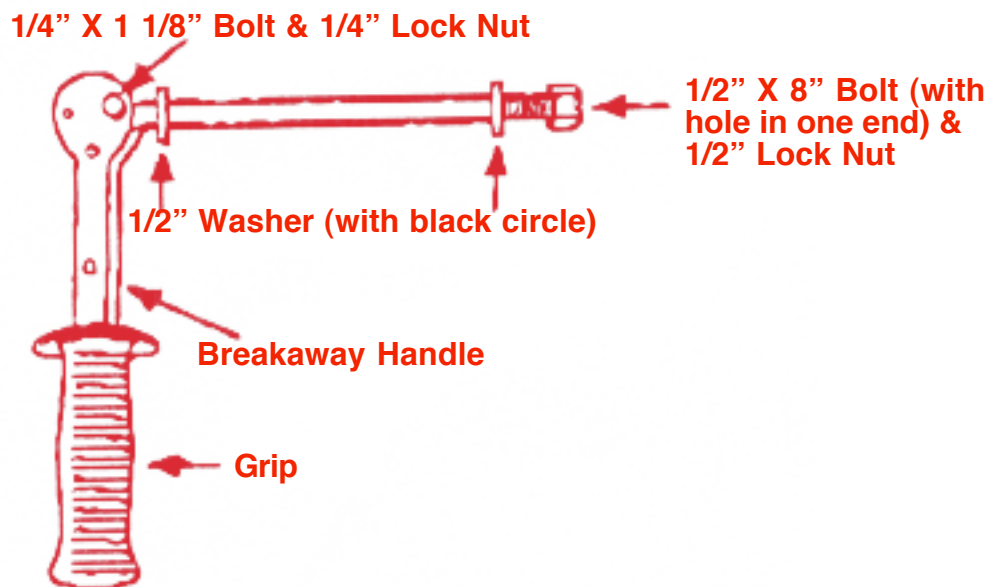


BREAKAWAY ASSEMBLY

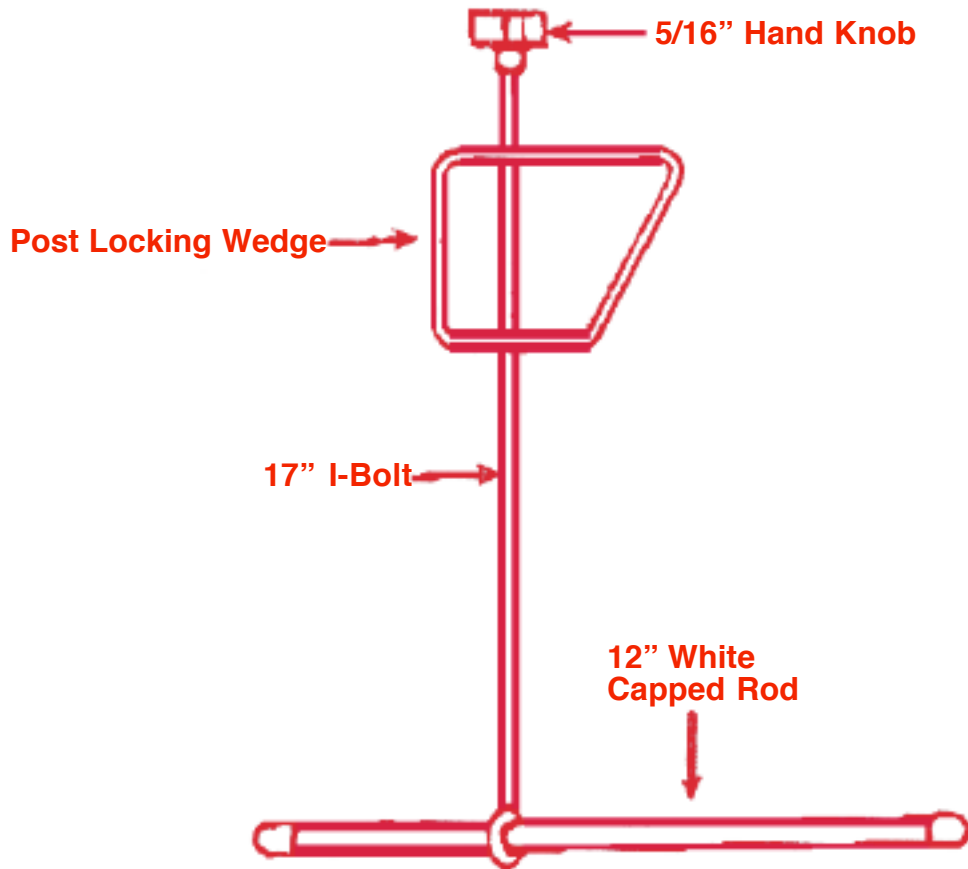
<u>Part #</u>	<u>Parts</u>
B128	1/2" X 8" Bolt With Hole
LN12	1/2" Lock Nut
W12	1/2" Washer With Black Circle
B141	1/4" X 1 1/8" Bolt
LN14	1/4" Lock Nut
HND140	Breakaway Handle
WHG130	White Handle Grip
BR1	Complete Assembly



Hardware D

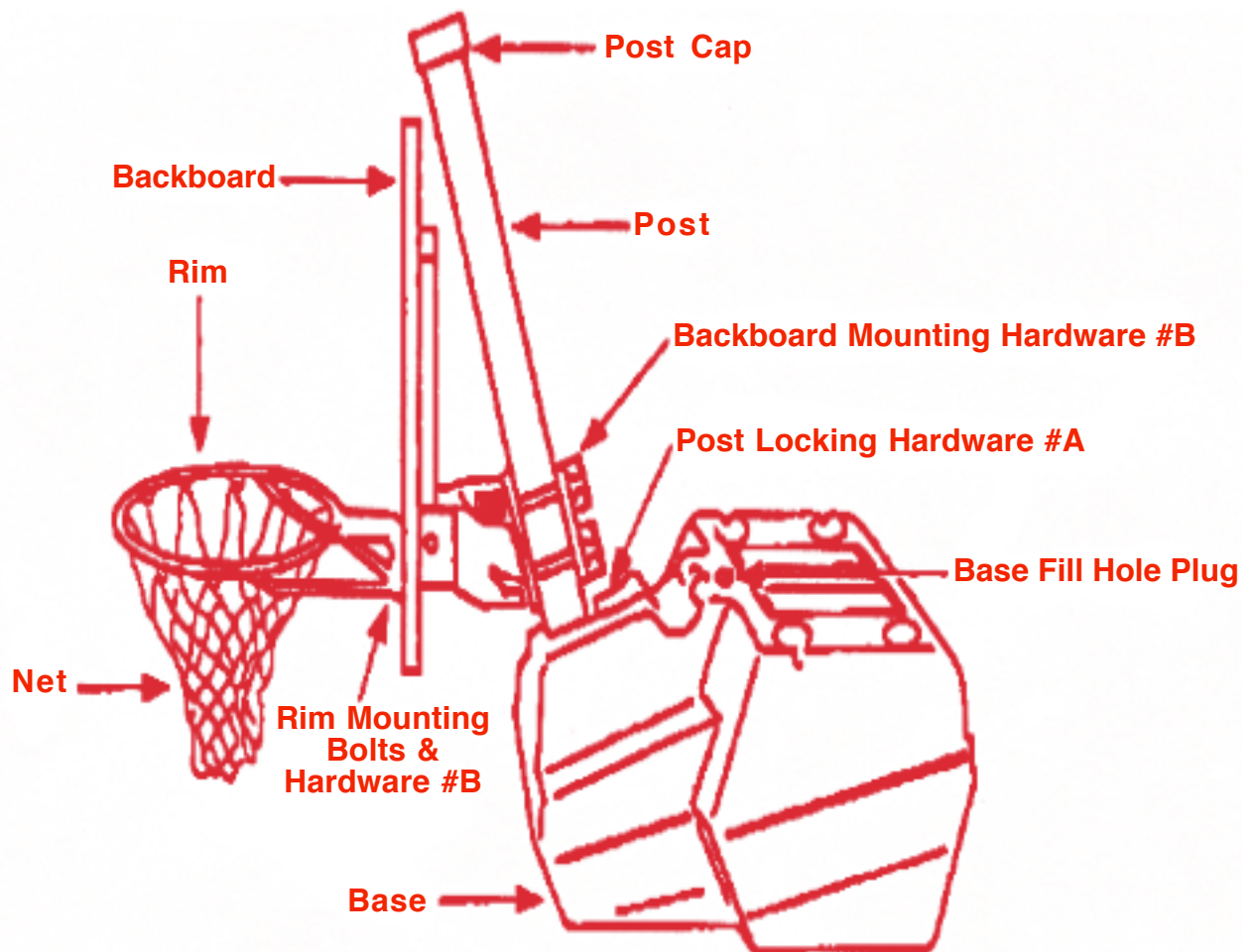
POST LOCKING HARDWARE ASSEMBLY

<u>Part #</u>	<u>Parts</u>
PLW105	Post Locking Wedge
WK516SM	5/16" Hand Knob
IB17	17" I-bolt
ROD12	12" White capped rod
PL2	Complete Assembly



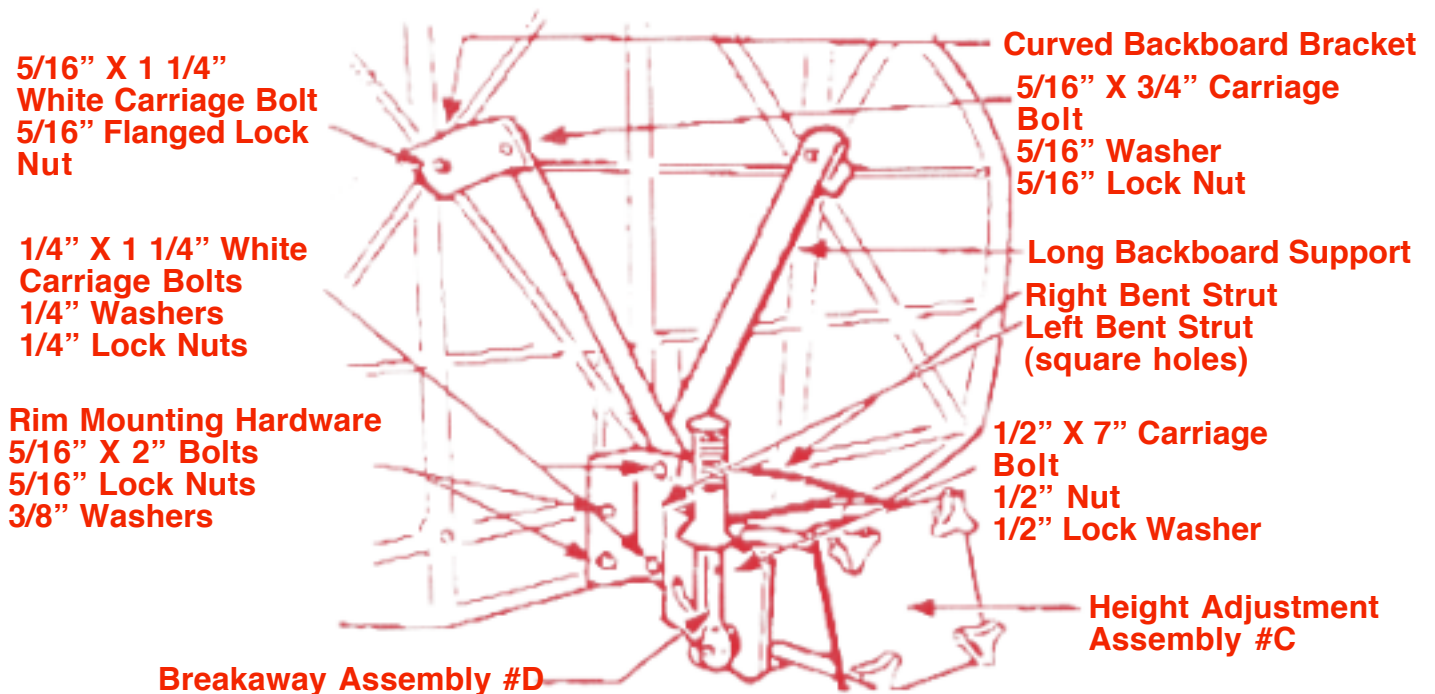
SPLASH & SLAM REPLACEMENT PARTS

<u>Part #</u>	<u>Parts</u>
BB200	Backboard
RIM124	Rim
BBN200	Net
LGB101	Base
LBP131	Base Fill Hole Plug
ALP102	Post
PC134	Post Cap
SP136	Siphon
B110	Ball



BACKBOARD PARTS

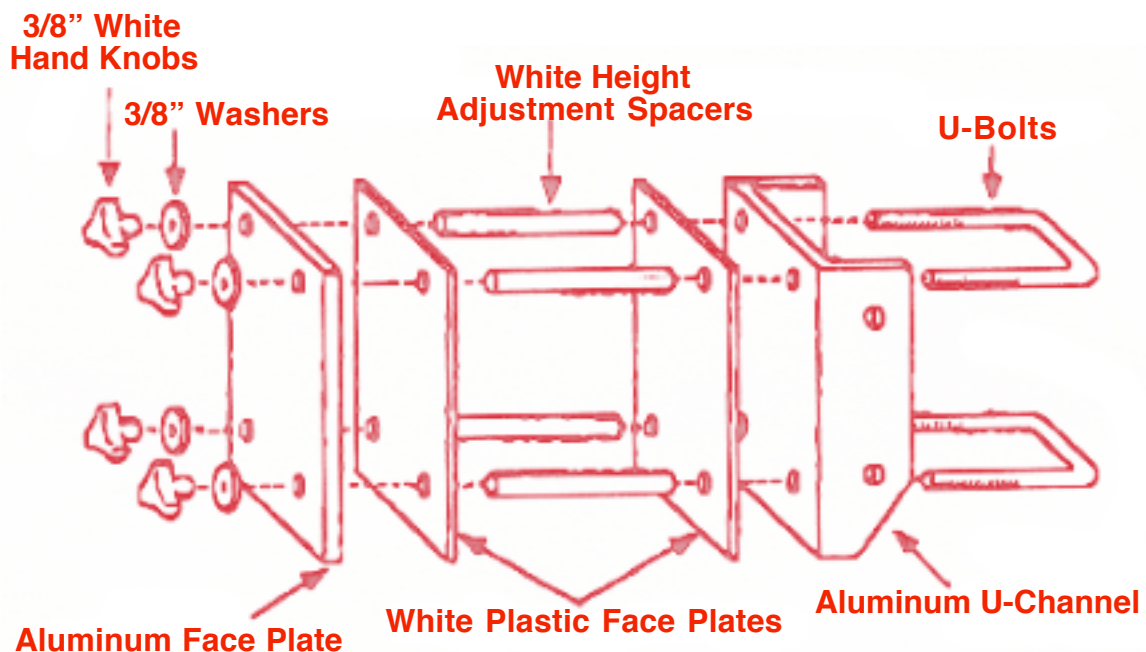
<u>Part #</u>	<u>Parts</u>
SRH125	Bent Struts/Right
SSH126	Bent Struts/Left (Square Holes)
CBR107	Curved Backboard Bracket
LBS106	Long Backboard Support
W38	3/8" Washer
B51634	5/16" X 3/4" Carriage Bolt
CB51634	5/16" X 1 1/4" White Carriage Bolt
B5162	5/16" X 2" Bolt
W516	5/16" Washer
LN516	5/16" Lock Nut
FLN516	5/16" Flanged Lock Nut
CB127	1/2" X 7" Carriage Bolt
N12	1/2" Nut
LW12	1/2" Lock Washer
CB14114	1/4" X 1 1/4" Carriage Bolt
LN14	1/4" Lock Nut
W14	1/4" Washer



Hardware B

HEIGHT ADJUSTMENT ASSEMBLY

<u>Part #</u>	<u>Parts</u>
WK38	3/8" White Hand Knob
W38	3/8" Washer
AFP104	Aluminum Face Plate
FP129	White Plastic Face Plate
SP458	White Height Adjustment Spacer
UCH103	Aluminum U-Channel
UB127	U-Bolt
HA1	Complete Assembly



Hardware C